

MIRRORSTONE

INFRARED HEATING



SUSPENSION KIT INSTALLATION MANUAL

SUSPENSION KIT INSTALLATION

Suspension Kit (sold separately) should only be used for ceiling installations, and if there is no suspended ceiling.

There must be a minimum gap of 50mm between the ceiling and the rear of the panel, to ensure adequate airflow between ceiling and panel. This is also to ensure easy adjustment of the distance if it needs to be changed in the future.

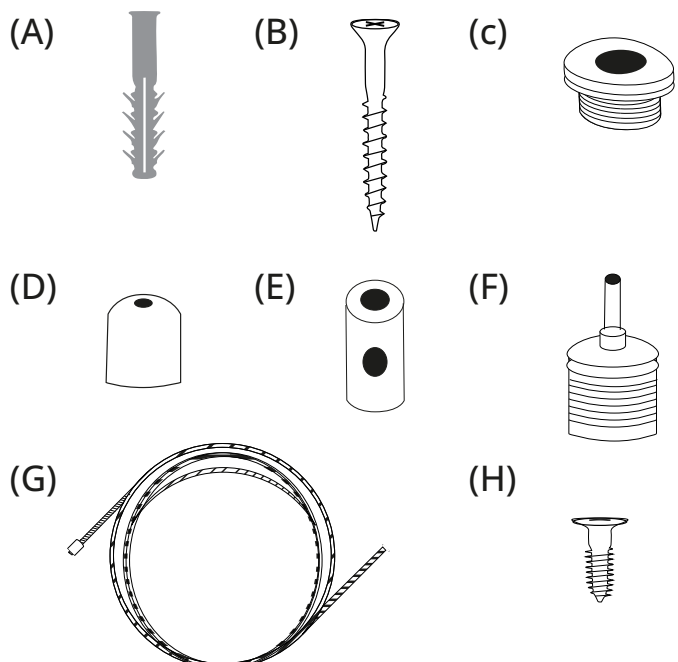
Once the panel is installed, it should be no more than 3m away from the floor of the room. This is because the infrared waves are less effective at distances of more than 3m.

You can scan this QR code to watch a video tutorial on how to install your Suspension Kit.



Please ensure that you have the following parts before starting:

- (A) 4 x 4mm Wall Plugs
- (B) 4 x 25mm Long Screws
- (C) 4 x Small Threaded Inserts
- (D) 4 x Bullet Head Mounts
- (E) 4 x Long Threaded Cylinders
- (F) 4 x Threaded Stoppers
- (G) 4 x 1000mm Cables
- (H) 4 x 8mm Short Screws



You will also need the following:

- (1) Hammer/Mallet
- (2) Drill with 4mm Wood Drill Bit
- (3) 5mm Phillips Head Screwdriver

Step 1

Discard the 4 x 8mm Short Screws (H), as these are not needed for this installation. Using your 5mm Phillips Head Screwdriver, unscrew four of the screws at the back of your panel, one from each corner. Keep the screws safe, as you will need these later on.

Step 2

Measure out the distance between each hole, and mark them on your ceiling where you want to install your panel.

Step 3

Use your drill to drill holes in your ceiling where you marked them in Step 2.

Step 4

Lightly tap one of the 4 wall plugs (A) into one of the 4 holes using your Hammer or Mallet. (Fig. 1)

Step 5

Take one of the 25mm Long Screws (B), and feed it through one of the Small Threaded Inserts (C), so that it's entering the threaded side first.

Step 6

Take the 25mm Long Screw (B), along with the Short Threaded Insert (C), and screw it into the ceiling using your Phillips Head Screwdriver until it is secure. (Fig. 2)

Step 7

Take one of the 1000mm Cables (G), and feed it through one of the Bullet Head Mounts (D), so that it's entering the wide end first.

Step 8

Screw the Bullet Head Mount (D) into the Short Threaded Insert (C) in your ceiling until it's secure. The Cable should now be hanging freely from your ceiling. (Fig. 3)

Step 9

Repeat Steps 4 through to 8 for the other three holes in your ceiling.

Step 10

Take one of the screws that were removed from the back of the panel earlier, and feed it through one of the Long Threaded Cylinders (E), so that it's entering the wider opening first.

Step 11

Screw it, along with the Long Threaded Cylinder (E), back into the back of the panel until it's secure. (Fig. 4)

Step 12

Repeat Step 10 and 11 for the other three screws from the back of the panel.

Step 13

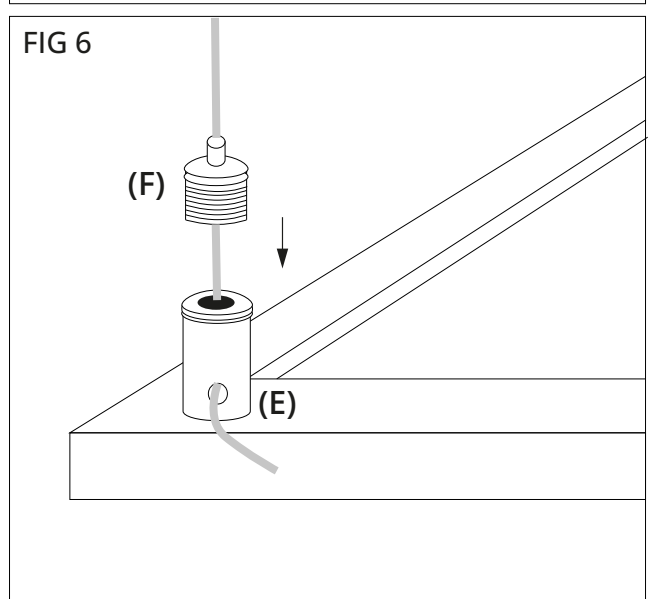
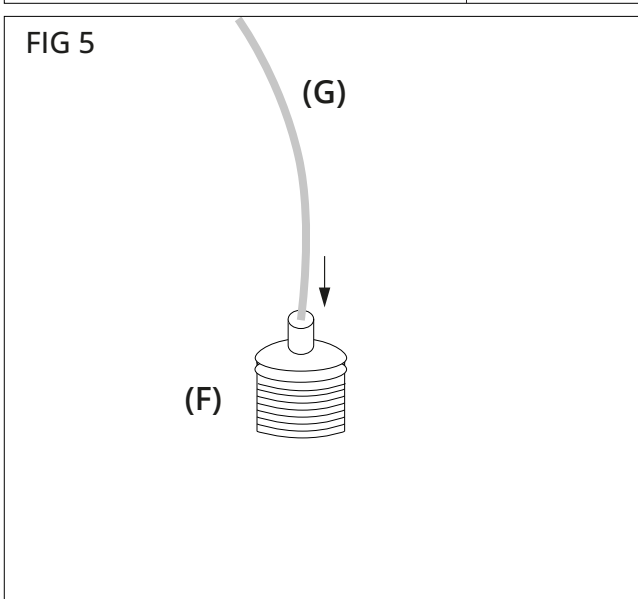
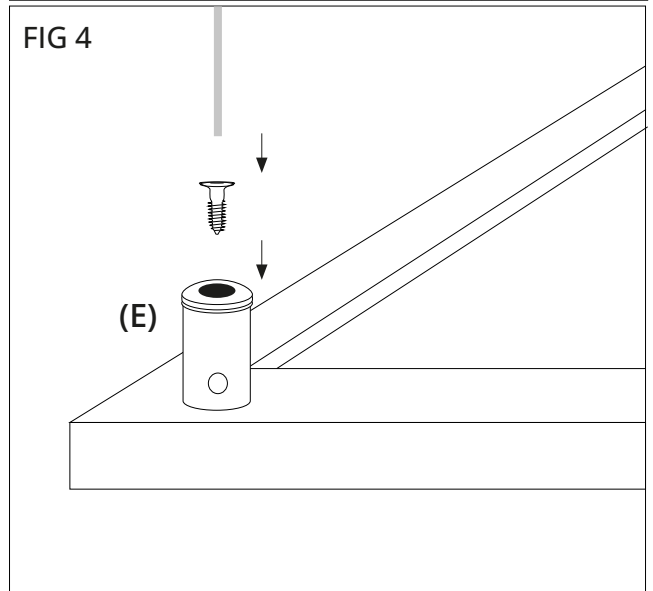
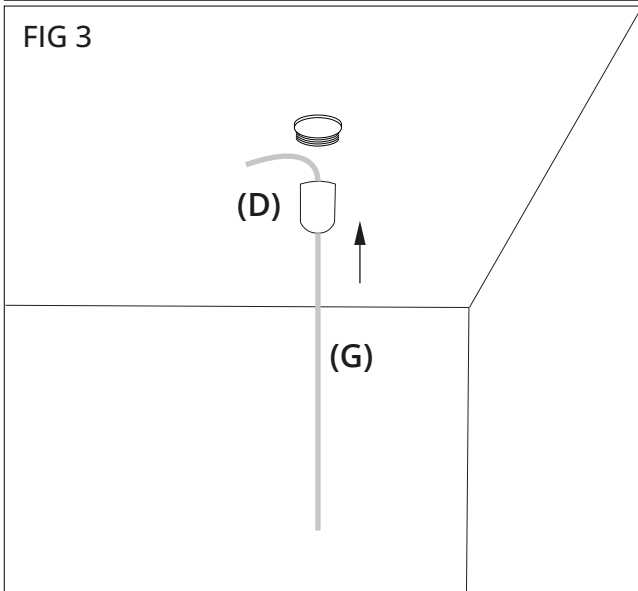
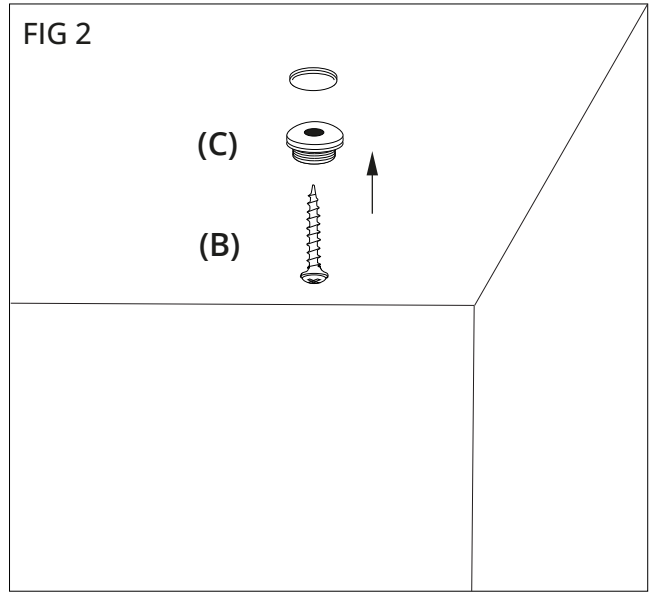
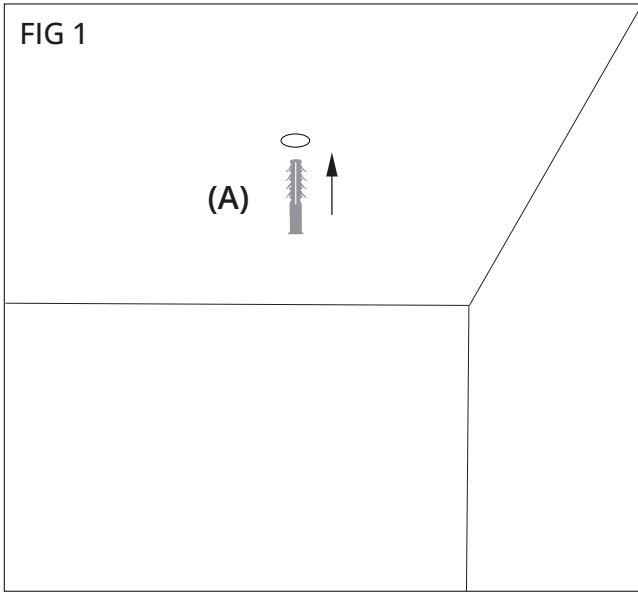
Take the end of one of the Cables, and feed it through the small opening at the top of one of the Threaded Stoppers (F). You will need to push down on the small opening to open the valve, and allow the Cable (G) through the Threaded Stopper (F). Repeat for the other three Cables. (Fig. 5)

Step 14

Take one of the Cables (G), and feed it through the small hole in the side of one of the Long Threaded Cylinders (E) on the back of the panel. Once done, screw the Threaded Stopper (F) into the Long Threaded Cylinder (E) until it's secure. Repeat for the other three Cables. (Fig. 6)

Step 15

Adjust the height of each Cable (G) by pushing down on the valve on the top of the Threaded Stopper (F), by pulling or releasing the excess Cable (G). Release the valve once you're happy with the length of the Cable.



MIRRORSTONE

INFRARED HEATING



sales@mirrorstone.co.uk

www.mirrorstoneheating.co.uk

86 Scudamore Road Leicester, LE3 1UQ

+44 (0) 116 436 2250